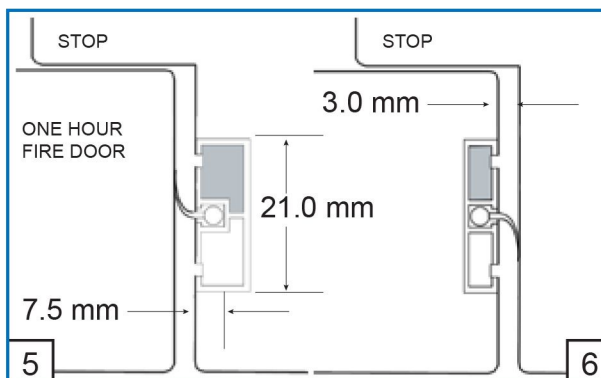
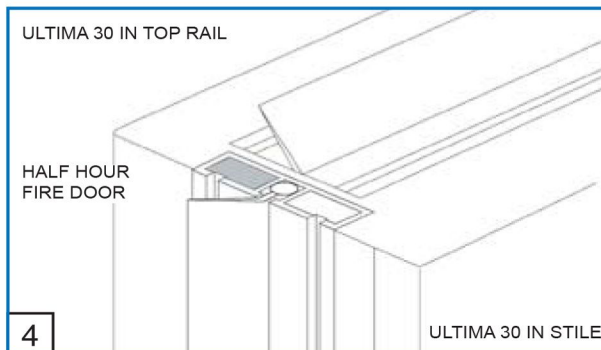
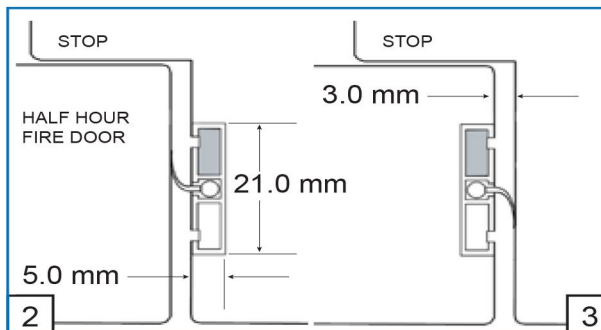
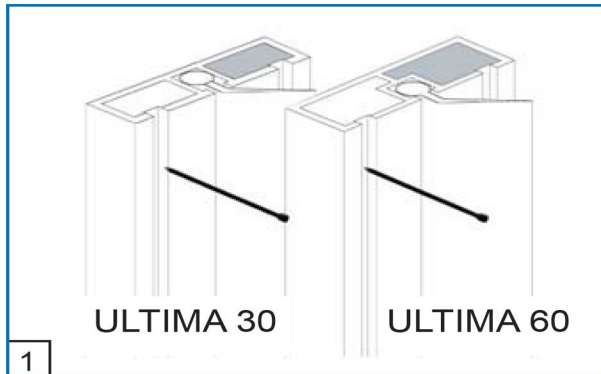




## Sealmaster Ultima 60(S)

Part of the Dixon  
International Group Ltd  
[www.dig.co.uk](http://www.dig.co.uk)



## Fitting Instructions

ULTIMA60 (FD60S) - 60 minutes Fire and Smoke Seal  
FOR SINGLE-ACTING SINGLE LEAF 60 MINUTES  
FIRE DOORS

### ULTIMA60 on single leaf 60 minutes doors.

This seal (Fig.1) may be rebated into the head and jambs of the door frame (Fig.6) or in the top rail and stiles of the door. (Figs.7 and 8). It is most important that the correct width and depth of rebate is cut, as remedial work can be costly in time and money. The sizes given here take into account acceptable variations in tolerances of extrusions.

Seal	Extrusion Width	Extrusion Depth
ULTIMA30	21.0 mm	5.0 mm
ULTIMA60	21.0 mm	7.5 mm



We recommend that the groove be routed to give a 'light press fit' for the extrusion. The seal should finish flush with the timber. The recommended door-to-door gap and door-to-frame gap is 3 mm. Intumescent strips are supplied in standard lengths of 1050 mm. Short ends, resulting from cutting to fit, can be used butted up to each other. Cut ends require no treatment. Strips should be pinned every 200 mm or as required.

All corners of timber components must be well rounded to prevent damage to the insert and ensure ease of adjustment. Contact surfaces for the blade should be finished, smooth and fair. 'NIP' aluminium carrier onto base of insert to prevent it slipping out. Solvent based glues, paints, varnishes, etc. must not come into contact with neoprene inserts.

