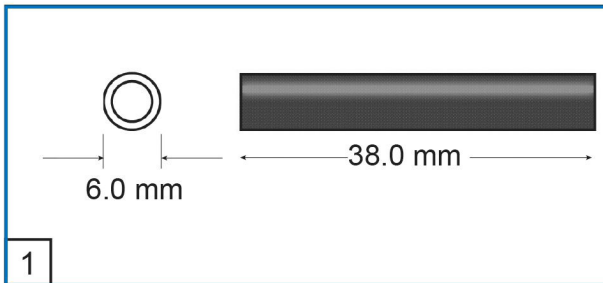




Sealmaster Intumescent Plugs

Part of the Dixon
International Group Ltd
www.dig.co.uk



Fitting Instructions

INTUMESCENT PLUGS

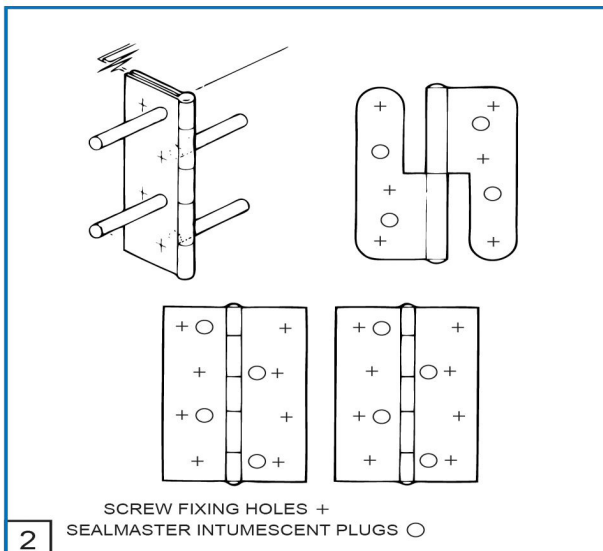
Recommended positions in hinges, striker plates and pivot mechanism top straps.

Hinges

Drill additional 7mm diameter plain holes (to take the plugs) through the hinges. Positions of the existing countersunk screw holes in standard 100mm butt hinges vary according to manufacture. Suggested layout patterns for these holes shown in Fig.2.

Fit the hinges then drill 6mm diameter holes, 40mm into the timber, through the plain holes.

Insert the plugs into these holes to finish flush with the hinges.



Lock/latch striker plates

Drill additional 7mm diameter plain holes (to take the plugs) through the striker plate. A suggested layout pattern for these plain holes is shown in Fig.3.

Fit the striker plate then drill 6mm diameter holes, into the timber, through the plain holes.

Insert the plugs into these holes to finish flush with the striker plate. Gaps around mortices areas should be filled with Sealmaster Masterseal Compound.

Pivot mechanism top straps

Drill additional 7mm diameter plain holes (to take the plugs) through the straps. A suggested layout pattern for these holes is shown in Fig.4.

Fit the straps then drill 6mm diameter holes, 40mm into the timber, through the plain holes.

Insert the plugs into these holes to finish flush with the straps.

