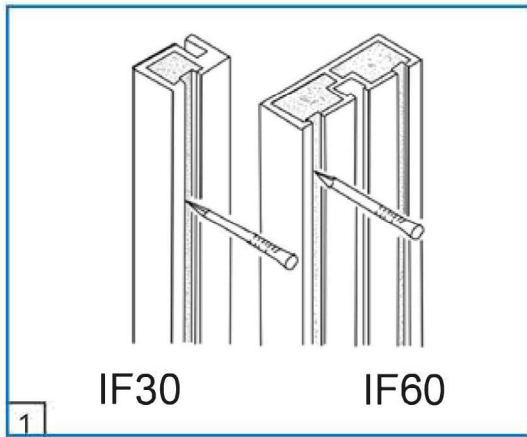




Sealmaster IF30 & IF60

Part of the Dixon
International Group Ltd
www.dig.co.uk

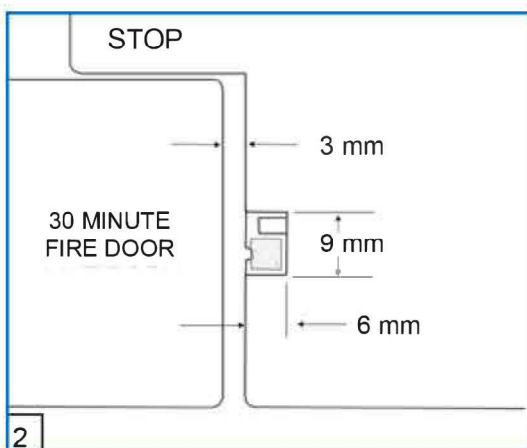


Fitting Instructions

IF30 (FD30) - 30 Minutes Fire Seal
IF60 (FD60) - 60 minutes Fire Seal

FOR SINGLE-ACTING SINGLE LEAF FIRE DOORS
WITH NO SMOKE CONTROL REQUIREMENTS

These seals (Fig 1) can be rebated into the head & jambs of the door frame, usually in line with the centre of the door edge (Figs. 2 & 3). The seals are broken at the hinges & the lock / latch plate. These areas are protected by Sealmaster Intumescent Plugs (see separate data sheet). Alternatively the seal may be rebated into the top rail and stiles of the door. Either method gives equally effective protection against fire penetration. IF30 and IF60 seals are Certifire Approved (which means that they have passed independent BS476 fire tests - following 100,000 door cycles).



Seal	Extrusion Width	Extrusion Depth
IF30	9.0 mm	6.0 mm
IF60	21.0 mm	7.5 mm

certifire
CF462

It is most important that the correct width and depth of rebate is cut, as remedial work can be costly in time and money. The sizes given here take into account acceptable variations in tolerances of extrusions.

We recommend that the groove be routed to give a 'light press fit' for the extrusion. The seal should finish flush with the timber.

The recommended door-to-frame gap is 3 mm.

Sealmaster intumescent strips are supplied in standard lengths of 1050 mm and in 2100 mm or other non-standard lengths to order. Off-cuts may be butted up to each other. Cut ends require no treatment. Strips should be pinned every 200 mm or as required (Fig. 1).

