



Sealmaster Cyclone

Part of the Dixon
International Group Ltd
www.dig.co.uk

Application Guide

Applications

A versatile threshold seal combination with hidden fixings and options to suit nearly all hinged and pivoted doors.

Relationship with other products

To seal the gaps around the door effectively these thresholds should be used in conjunction with one of the Sealmaster range of stop seals such as the surface mounted Sealmaster Blizzard or the recessed Sealmaster Deluge. The gap between the two leaves of double doors should be sealed along the face of the door with an appropriate meeting stile seals such as Sealmaster Tempest. The gaps around double swing or pivot doors should be sealed with an appropriate seal such as the Sealmaster Typhoon.

Inward opening doors

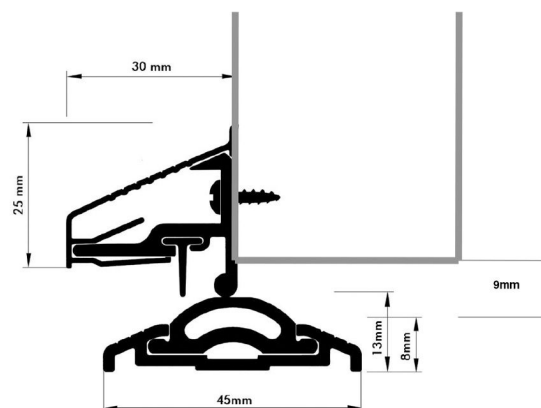
Sheltered single inward opening doors

The door stop seal must be fitted down to the sill and the threshold should be notched around it. The weatherboard should be screwed to the external face of the door. It is provided with oversized holes to allow fine adjustment. It should be fitted up to the leading edge of the stop seal blade.

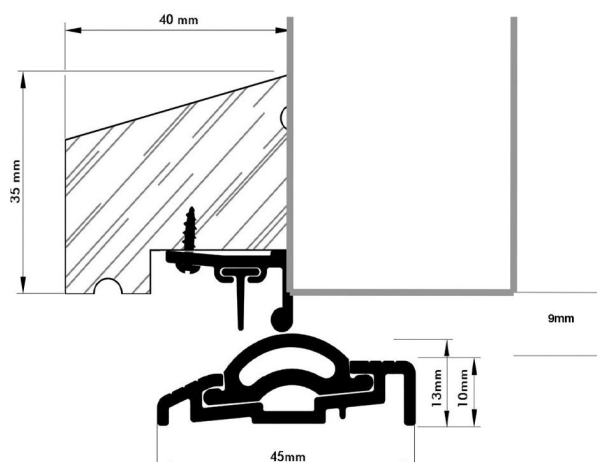
Sheltered pairs of inward opening doors

The meeting stile seal should be carried to the bottom of the door, and the weatherboard cut to fit around it and the joint sealed with silicone sealant.

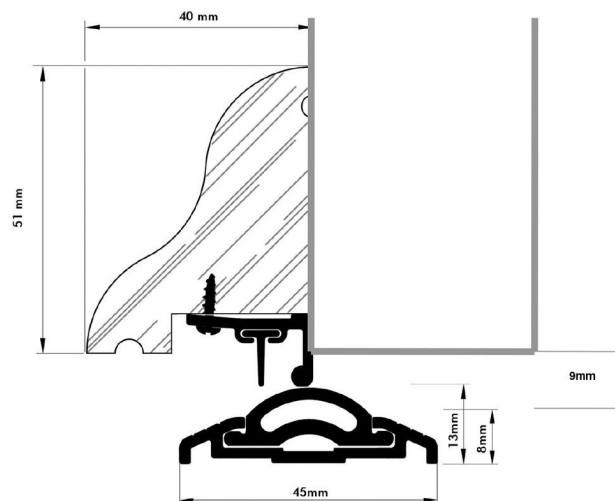
The doors may need to be fitted with a door selector to ensure the correct leaf closes first. In order to reduce water penetration between the weatherboards fitted to each of the doors, the gap between them should be kept as small as possible. They should both be cut to an appropriate angle to compensate for the radial throw of the door.



TE threshold with WD weatherboard



TD threshold with WE weatherboard



TE threshold with WF weatherboard