

Sealmaster

PAMPISFORD CAMBRIDGE CB2 4HG ENGLAND

Telephone: (01223) 832851 Facsimile: (01223) 837215



SEALMASTER FIRECLOSE PIPE CLOSER FOR PLASTIC PIPES

Sealmaster Fireclose Pipe Closers will prevent the spread of fire, smoke and hot gasses through PVC-U pipes which penetrate fire compartment walls and floors, if:-

1. The unit's are fixed in strict accordance with the manufacturers installation instructions.
2. For surface mounting on uneven substrates and to obtain optimum product performance it is recommended that a bead of Masterseal intumescent mastic be applied on and around the flange face prior to installation.
3. All bolts and brackets provided must be fixed at equidistant centres around the flange. It is appreciated that on some site conditions where access is difficult, it may not be possible to achieve this. However, it is extremely important that the fixings supplied provide a firm and satisfactory hold at each point.

Manufactured by:

Sealmaster

Pampisford Cambridge CB2 4HG England

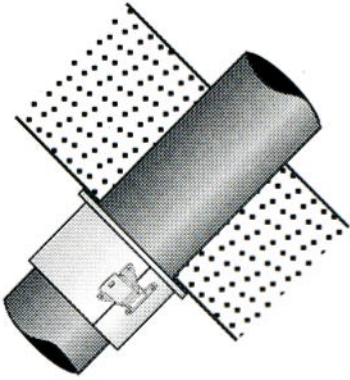
Telephone: (01223) 832851 Facsimile: (01223) 837215

INSTALLATION METHODS

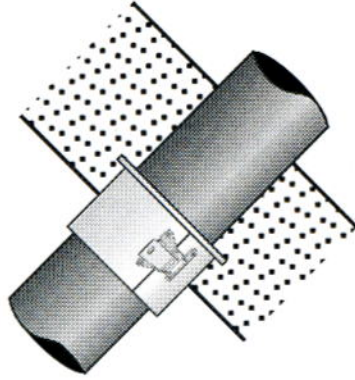
CONCRETE FLOOR/WALL CONSTRUCTION

Tested to 4 hours (BS476: Part 20: 1987)

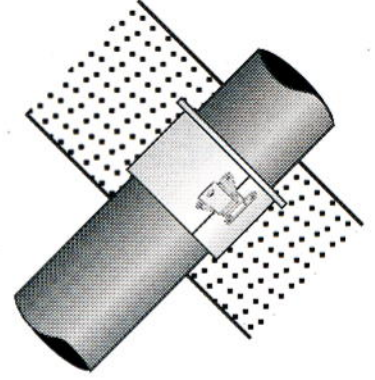
Face fixed



Semi-cast



Fully cast

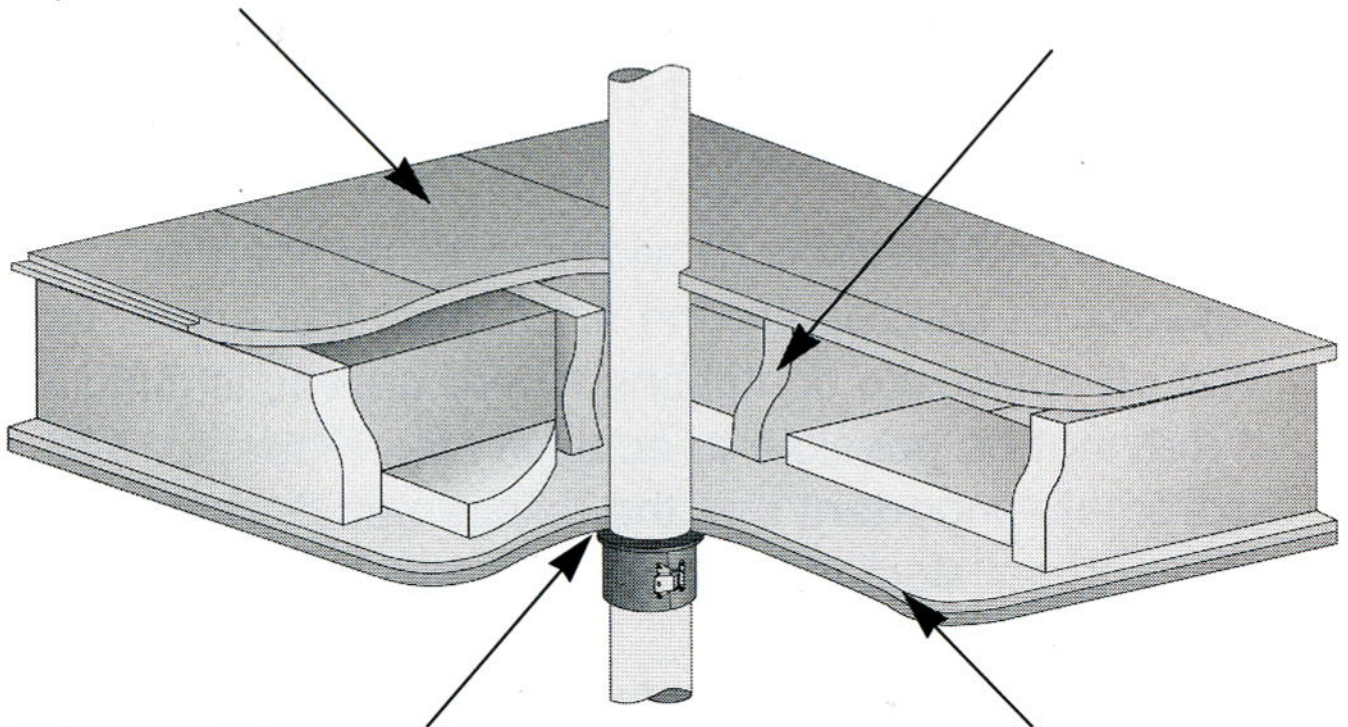


TIMBER FLOOR CONSTRUCTION

Tested to 1 hour (BS476: Part 20: 1987)

19mm Flooring Grade
Chipboard

150 x 50 Timber Joists
at 400mm centres



4 x 3" N°8 Woodscrews
equispaced into
additional noggling if
required

2 x 12.5 mm
Gypsum Board