

FITTING INSTRUCTIONS

Cavity Fire Seal (CFS)

This product is approved by the NHBC and tested to BSEN1363 Part 1: 1999 and will provide fire resistance in excess of 60 minutes integrity when installed in accordance with these instructions.

Suitability

The CFS is suitable for installation in a vertical or horizontal plane within the external cavity of a timber framed building.

Cavity Size

The CFS is suitable for installation within a cavity of between 20 and 50mm wide.

Batten

A site supplied, preservative treated softwood batten may be required. This batten is used to mount the CFS to the cavity's inner wall and adjust the gap between the CFS and the cavity's outer wall to 10mm.

Installation

Extreme care should be taken when handling/installing the CFS as there may be sharp edges to the stainless steel carrier.

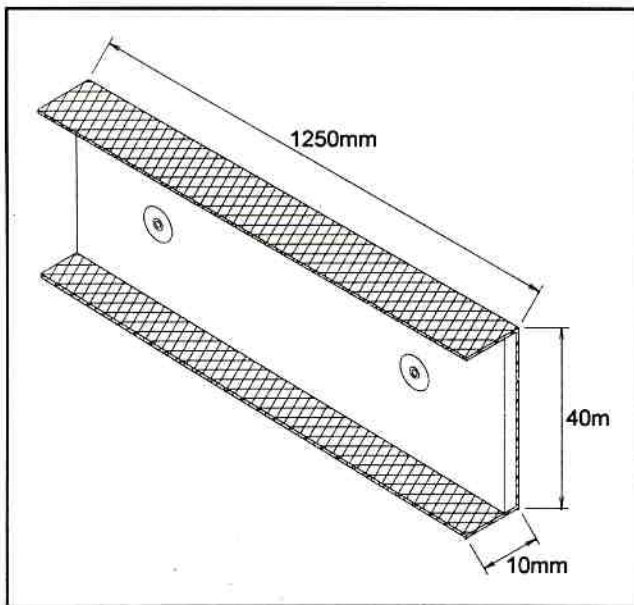
Fix the batten (if required) to the cavity's inner wall, directly onto the breather foil using 75mm galvanised clout head nails, at 250mm centres, staggered top to bottom of the batten; the batten may be continuous or interrupted by battens at 90° that will be used to fix the external wall.

The CFS is fixed directly to the batten or inner wall, using 30mm galvanised clout head nails, at 150mm centres, staggered top to bottom of the seal. No sealants or jointing materials are required. Ensure a fixing is used at each end of a length of CFS. Also, ensure that joints in the batten and the CFS do not coincide.

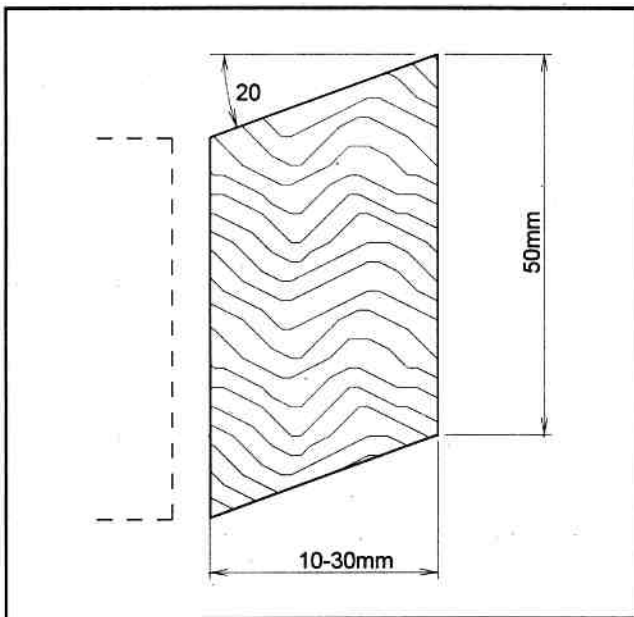
Once installed, the CFS requires no protective coatings or maintenance and the external boarding may be fixed in place.

For further information and technical advice, please contact our Technical Services Department.

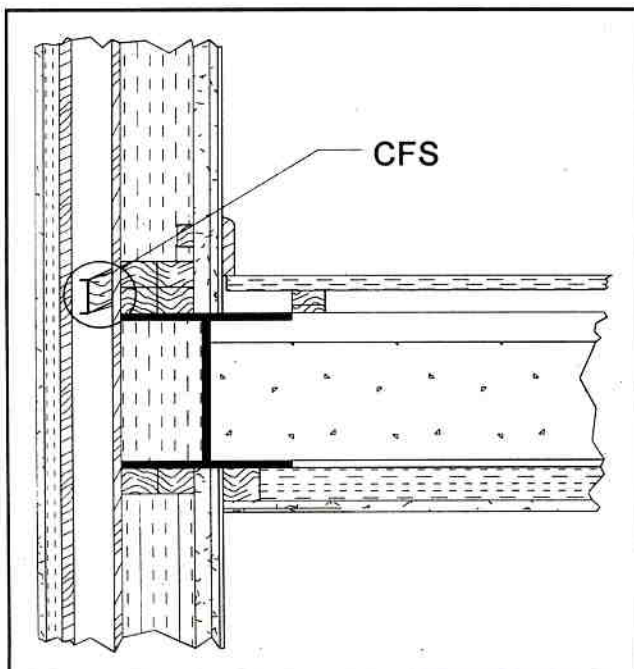
The information given here is based upon our general experience and tests and is intended for guidance only. Every effort is made to ensure that the data on this instruction sheet is correct and we do not accept liability for injury, loss or damage arising from reliance thereon. This data sheet does not form part of a contract and any difficulties arising from on-site conditions should be referred to our engineers for advice.



Cavity Fire Seal



Batten



Typical Installation

Sealmaster

A Division of the Dixon International Group Limited
PAMPISFORD CAMBRIDGE CB2 4HG
ENGLAND

Telephone (01223) 832851 Facsimile 837215

