

Sealmaster



Sealmaster Black Glazing Tape

Part of the Dixon
International Group Ltd
www.dig.co.uk

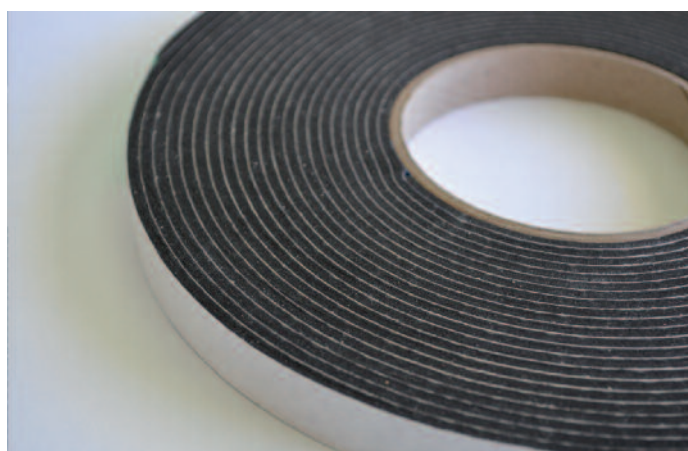
Introduction

Sealmaster Black Glazing Tape is a new, non-ceramic fibre glazing tape with adhesive liner and is available on a roll. It has been developed to achieve successful fire performance to both BS and EN Standards and it can be used for a very broad range of certified fire resistant glazing applications in doors and screens. The black colour of the product allows for a superior professional glazed finish which remains consistent throughout the lifetime of the fire rated glazing system. Test evidence available on request.

Technical Information

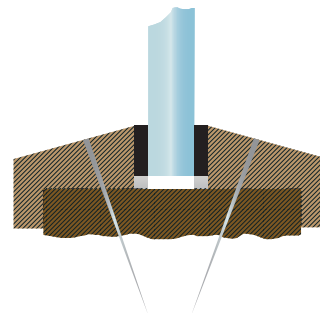
Sealmaster Black Glazing Tape :-

- Based on Alkaline Earth Silicate (AES) chemistry comprising silica, magnesium and calcium oxides meaning there are no Health & Safety restrictions in its use.
- Excellent insulating properties with very low thermal conductivity.
- Highly compressible and with a smooth surface finish.
- Thermal stability up to 1200°C.
- Lightweight with a density typically of 230kgm⁻³.
- High flexibility with good resistance to tearing during application.
- Excellent handling strength and mechanical properties.

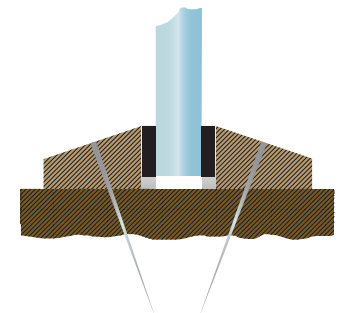


Available in 10m rolls ex stock





Fire Door Applications



Fire Screen Applications



Key

	Fire Resistant Glass		Softwood or Hardwood Timber Beading
	Sealmaster Black Glazing Tape		Glazing Setting Block
			Pins or Screws
			Fire Door / Screen - 30, 60, 90+ minutes applications

Application

Sealmaster Black Glazing Tape :-

- A pressure sensitive adhesive liner allows rapid and easy installation into both fire door apertures and fire glazing screens.
- Excellent flexibility and strength however it can be cut easily with scissors or a sharp knife allowing an easy application to glazing beads and other precision-dependent applications.
- Highly insulating thermal behaviour allows it to be used across a very broad range of fire resistant glazing types including integrity, semi-insulating and insulation glasses.
- Suitable for use in either timber, steel or aluminium fire rated glazing systems.

Continued overleaf

www.sealmaster.co.uk



Sealmaster



Sealmaster Black Glazing Tape

Part of the Dixon
International Group Ltd
www.dig.co.uk

Description

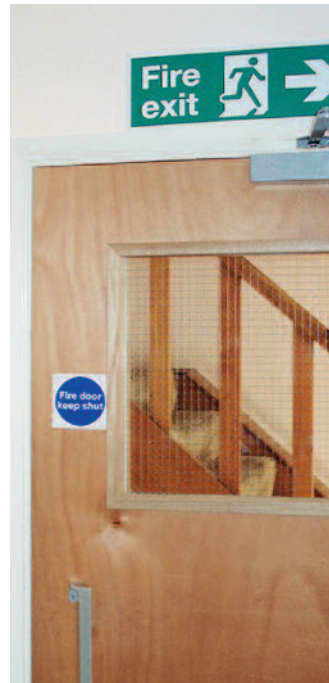
Sealmaster Black Glazing Tape is very simple to use, highly compressible and possesses excellent adhesive properties to glazing materials.

The tape is made from bio-soluble alkaline earth silicate fibres providing high insulation properties and excellent resistance to thermal erosion.

It is lightweight and has excellent chemical stability however it is only suitable for indoor applications.

Sizes

Sealmaster Black Glazing Tape is supplied in 10 metre length rolls and in standard widths of 12mm, 15mm or 20mm. It is available in a range of thicknesses from 2mm to 5mm. Other widths and roll lengths are available on request.



Contacting Us

Sealmaster, Brewery Road,
Pampisford, Cambridge,
CB22 3HG, England

Phone: 01223 832851

Fax: 01223 837215

Email: info@sealmaster.co.uk



Design, Innovation & Manufacture since 1962

www.sealmaster.co.uk



Made in
the UK



A Member of
Intumescent Fire Seals
Association