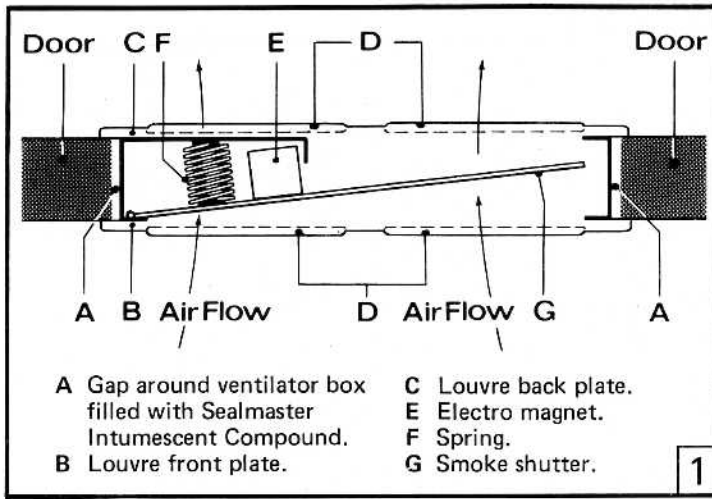


VH60/FS



- A Gap around ventilator box filled with Sealmaster Intumescent Compound.
- B Louvre front plate.
- C Louvre back plate.
- D Louvres.
- E Electro magnet.
- F Spring.
- G Smoke shutter.

1

FITTING INSTRUCTIONS

SEALMASTER INTUMESCENT FIRE DOOR VENTILATORS

VH60/FS FIRE and COLD SMOKE SEAL

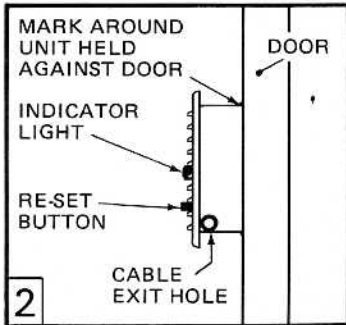
VH60/F FIRE SEAL

VH60/FS VENTILATOR Fig. 1.

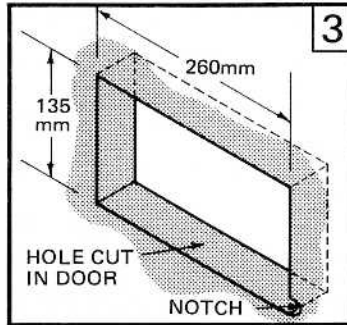
This ventilator is designed to be fail-safe. It operates on 24vDC and is intended to be connected to a smoke and fire alarm system. When the DC supply is interrupted the cold smoke shutter closes under spring pressure, stopping smoke penetration and this is indicated by a red warning light. A push button resets the shutter and cancels out the red light.

FITTING

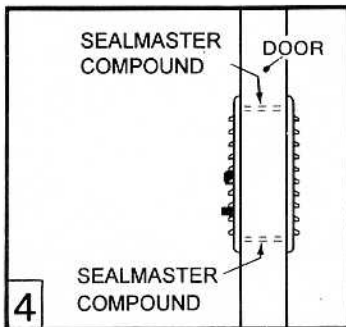
- 1 Remove louvre plate which does not have reset button and indicator light.
- 2 Change cable route - right or left - if necessary, ensuring cable clears shutter mechanism.
- 3 Holding unit against door mark outline of chassis on door. Fig. 2.
- 4 Cut out hole around outline 260mm wide x 135mm. Notch side of hole at cable outlet. Fig. 3. (Alternatively drill hole for cable from hinge side of door to hole if cable is to be in thickness of door).
- 5 Liberally coat inside of hole with Sealmaster Compound supplied. Push unit into hole. Check for complete seal around unit. Apply more Compound if necessary. Replace Louvre cover plate tightly. Fig. 4.
- 6 Fix connector blocks, one on door one on door frame, in line with cable exit. Check cable loop is secure. Clip cable to face of door, cut and fit to connector. Fig. 5.



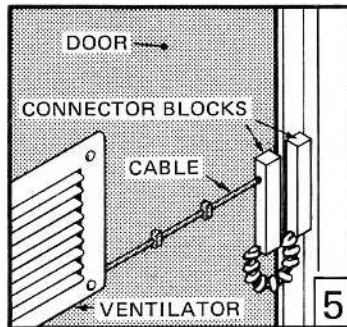
2



3

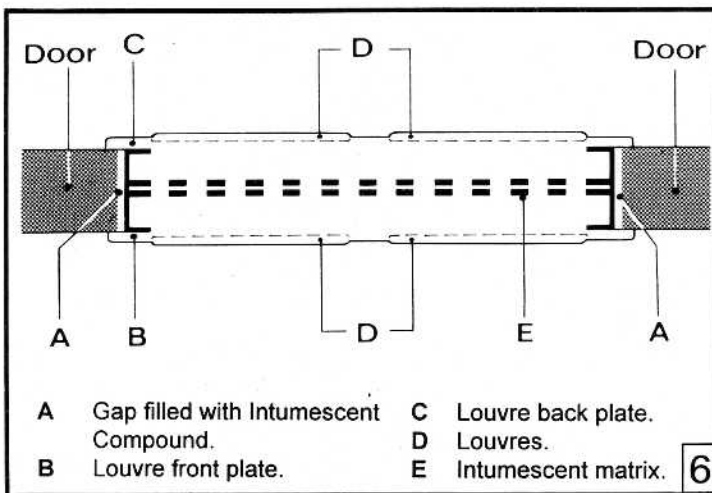


4



5

VH60/F



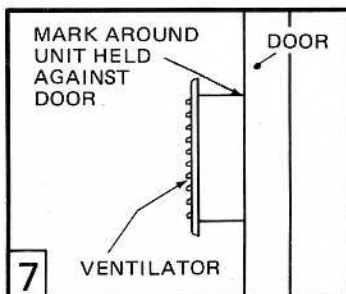
- A Gap filled with Intumescent Compound.
- B Louvre front plate.
- C Louvre back plate.
- D Louvres.
- E Intumescent matrix.

6

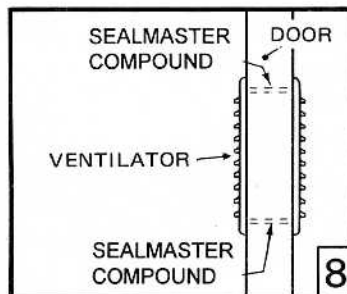
VH60/F VENTILATOR Fig. 6.

- 1 Remove one louvre cover plate. Hold unit against door. Using chassis as template mark outline on door. Fig. 7.
- 2 Cut out hole around outline, 260mm wide x 135mm. Coat inside of hole liberally with Sealmaster Compound supplied. Push unit into hole. If necessary apply more Compound to ensure complete sealing around unit. Replace louvre cover plate tightly. Fig. 8.

Sealmaster Intumescent Ventilators should always be fitted in consultation with the Fire Brigade.



7



8

The information given here is based on our general experience and tests and is intended for guidance only. Every effort is made to ensure that the data on this instruction sheet is correct and we do not accept liability for injury, loss or damage arising from reliance thereon. This data sheet does not form part of a contract and any difficulties arising from on-site conditions should be referred to our engineers for advice.

Sealmaster Limited

PAMPISFORD CAMBRIDGE CB2 4HG
Tel: (01223) 832851 Fax: (01223) 837215

